

Common Mode Choke:

UF9.8 series:

Part No.	Inductance (mH) MIN 1kHz 1V	DC Resistance (ohm) MAX	Rated Current (A)
UF9.8-10-8-0.1	10	8	0.1
UF9.8-8-6-0.2	8	6	0.2
UF9.8-5-3-0.3	5	3	0.3
UF9.8-2-1-0.5	2	1	0.5
UF9.8-1-0.6-0.7	1	0.6	0.7
UF9.8-0.5-0.3-1	0.5	0.3	1.0

Rated Voltage: AC/DC 250V

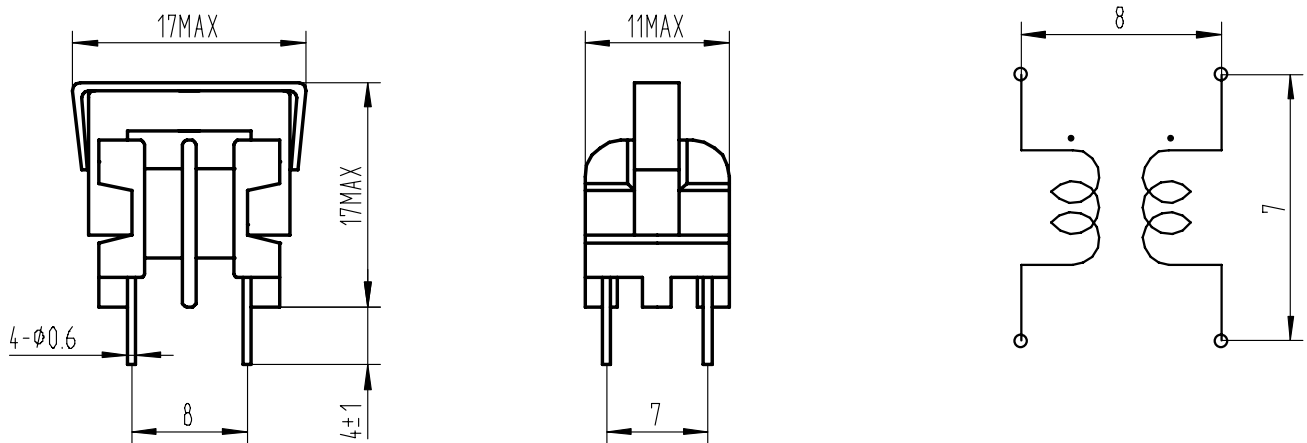
Withstand Voltage: AC2kV 1minute

Insulation Resistance: DC500V 100Mohm MIN

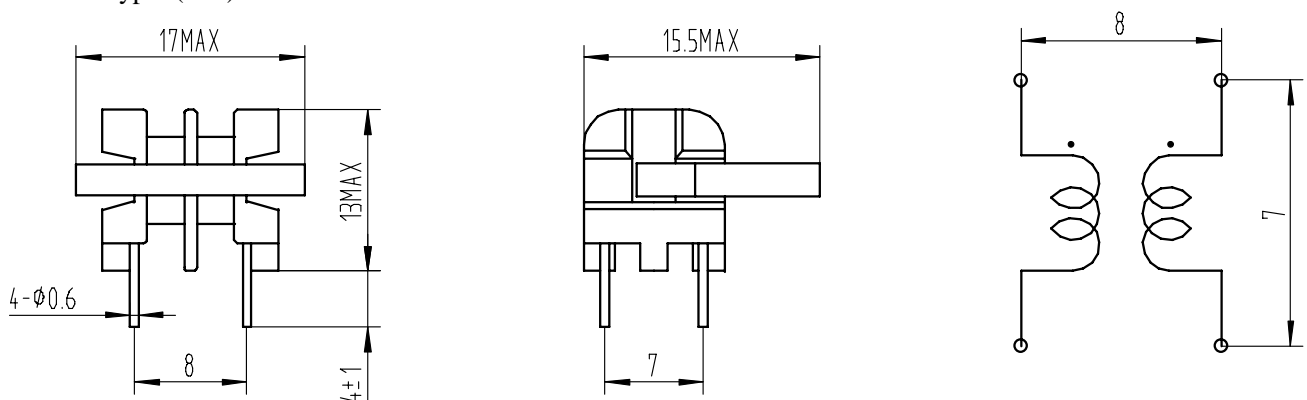
Insulation Class:E (120°C)

Usage Temperature Range: -25~80°C

Vertical Type: (mm)



Horizontal Type: (mm)



UF10.5 series:

Part No.	Inductance (mH) MIN 1kHz 1V	DC Resistance (ohm) MAX	Rated Current (A)
UF10.5-10-3-0.3	10	3	0.3
UF10.5-5-2-0.3	5	2	0.3
UF10.5-5-1.5-0.5	5	1.5	0.5
UF10.5-4-1-0.7	4	1	0.7
UF10.5-3-0.5-1	3	0.5	1
UF10.5-2-0.5-1	2	0.5	1
UF10.5-1-0.4-1	1	0.4	1
UF10.5-1-0.3-1.3	1	0.3	1.3
UF10.5-1-0.2-1.5	1	0.2	1.5
UF10.5-0.6-0.15-2	0.6	0.15	2.0

Rated Voltage: AC/DC 250V

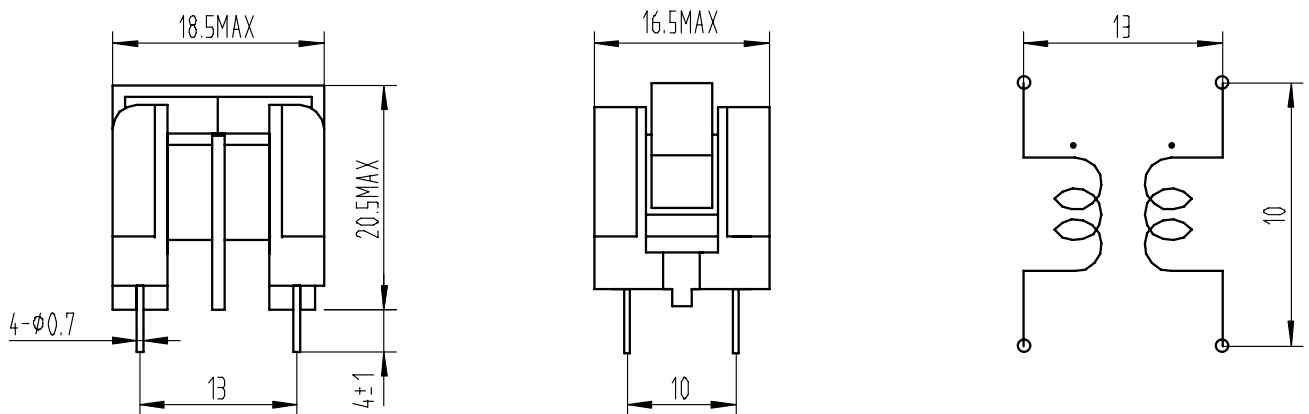
Withstand Voltage: AC2kV 1minute

Insulation Resistance: DC500V 100Mohm MIN

Insulation Class: E (120°C)

Usage Temperature Range: -25~80°C

Vertical Type: (mm)



Horizontal Type: (mm)

